

# SW series

## Digital Scale



ISO 9001 certified

**CAS**  
S · C · A · L · E

# SW series Digital Scale

## FEATURES

- Battery Operation with Auto Power Off Feature
- Large LCD (H=1inch/25mm) Display
- lb/g/kg/oz Switchable
- Soft Touch Tack Switch
- Compact Design & Stainless Steel platter
- Zero, Net, Stable, Low Battery Indicators
- Function : On/Off, Zero, Tare, Unit
- NTEP Approval number : 99-002

## SPECIFICATIONS

Model	SW series				
Capacity	lb	5 ×0.002lb	10 ×0.005 lb	20 ×0.01 lb	50 ×0.02 lb
	kg	2 ×0.001 kg	5 ×0.002 kg	10 ×0.005 kg	20 ×0.01 kg
	g	2000 ×1 g	5000 ×2 g	10000 ×5 g	20000 ×10 g
	oz	80 ×0.05 oz	160 ×0.1 oz	400 ×0.2 oz	800 ×0.5 oz
Display Digit	5 Digit LCD (1 inch)				
Display Designators	Stable, Zero, Net, Batt.				
Measurement Type	Load Cell				
Power Source	DC 9V (1.5V ×6EA)/ AC Adapter Included				
Power Consumption	0.25W				
Operating Time	Alkaline Dry Battery : 1000hr Mn Battery : 500hr				
Operating Temperature	-10 °C ~ +40 °C (14 °F ~ +104 °F)				
Platter Size (inch/mm)	9.05(W) ×7.48(D)/230(W) ×190(D)				
Dimensions (inch/mm)	10.23(W) × 11.29(D) ×5.39(H)/ 260(W) × 287(D) × 137(H)				
Product Weight	6.92lb/3.14kg				

## OPTION

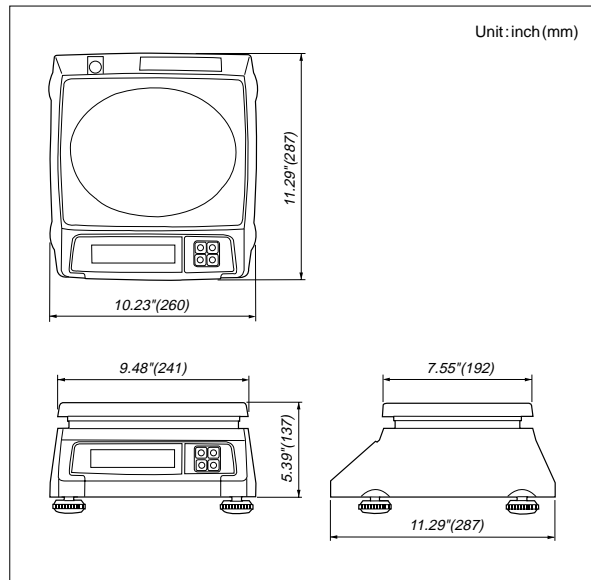
- Rear Display

## OPTIONAL REAR DISPLAY



Option

## DIMENSIONS



## CAS USA Corporation

NJ OFFICE  
99 Murray Hill Parkway  
East Rutherford, NJ 07073  
Tel: (201) 933-9002  
Fax: (201) 933-9025

CA OFFICE  
733 S. State College Blvd #98  
Fullerton, CA 92831  
Tel: (714) 870-1286  
Fax: (714) 870-1167

<http://www.cas-usa.com>